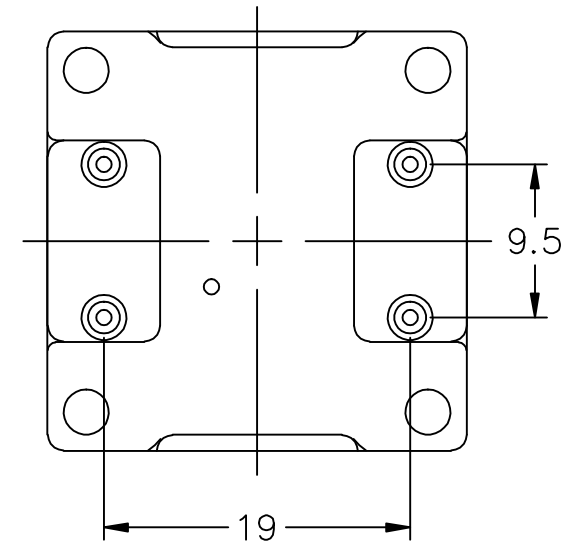
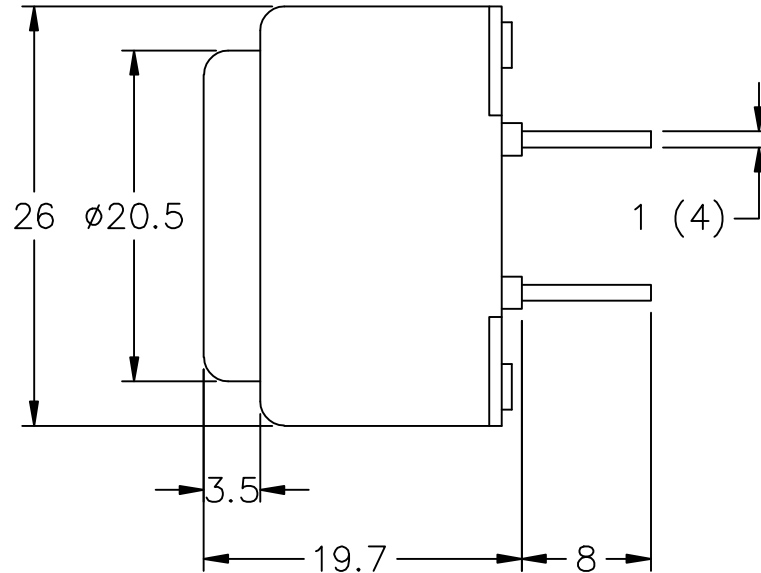
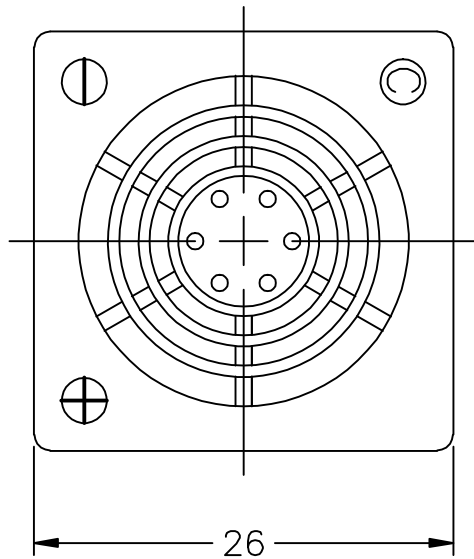


THIS DOCUMENT CONTAINS DATA PROPRIETARY TO PROJECTS UNLIMITED, INC. ANY USE OR REPRODUCTION, IN ANY FORM, WITHOUT PRIOR WRITTEN PERMISSION OF PROJECTS UNLIMITED, INC. IS PROHIBITED.
 ©2005, Projects Unlimited Inc.

SPECIFICATIONS

PARAMETERS	VALUES	UNITS
RATED VOLTAGE	12	Vdc
OPERATING VOLTAGE RANGE	8 ~ 16	Vdc
RATED CURRENT (MAX)	50	mA
MINIMUM SPL @ 10 CM	95	dBA
RESONANT FREQUENCY	400±100	Hz
TONE OR PULSE RATE	CONTINUOUS	⁰ PULSE PER SECOND
OPERATING TEMPERATURE	-20 ~ +60	°C
STORAGE TEMPERATURE	-30 ~ +70	°C
HOUSING MATERIAL	ABS	-
TERMINAL MATERIAL	Sn PLATED COPPER	-
WEIGHT	17	grams

REVISIONS			
LTR	DESCRIPTION	DATE	APPROVED
-	RELEASED FROM ENGINEERING	10/19/06	
A	ADDED PIN LAYOUT AND IDENTIFICATION	8/1/07	R.W.



NOTES:

1. ALL DIMENSIONS ARE IN MILLIMETERS.
2. SPECIFICATION SUBJECT TO CHANGE OR WITHDRAWAL WITHOUT NOTICE.
3. THIS PART IS RoHS 2002/95/EC COMPLIANT.
4. THE - IS GROUND, THE + IS Vdc, AND THE C IS CONTROL LINE SWITCHED Vdc.

UNLESS OTHERWISE SPECIFIED:
 DIMENSIONS ARE IN MILLIMETERS, TOLERANCES ARE ±0.5 AND ANGLES ARE ±3°.



INDICATOR

APPROVALS	DATE
DRAWN <i>J.D.</i>	10/06
CHECKED <i>B.R.</i>	10/06
APPROVED <i>R.W.</i>	10/06

SIZE A	DRAWING NO. AI-2604-TT-R
-----------	-----------------------------

FILE NAME
AI-2604-TT-R.DWG

DO NOT SCALE DRAWING SCALE: N.T.S. SHEET 1 OF 1